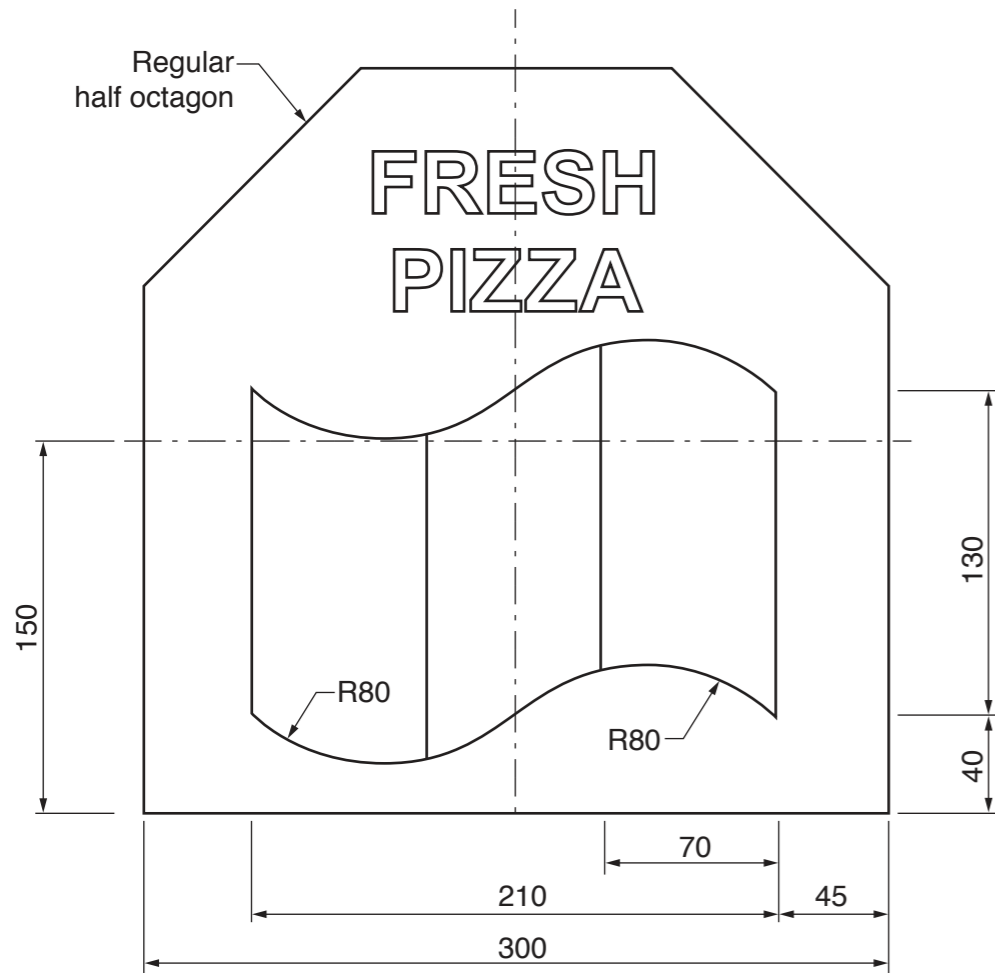


**Section A**

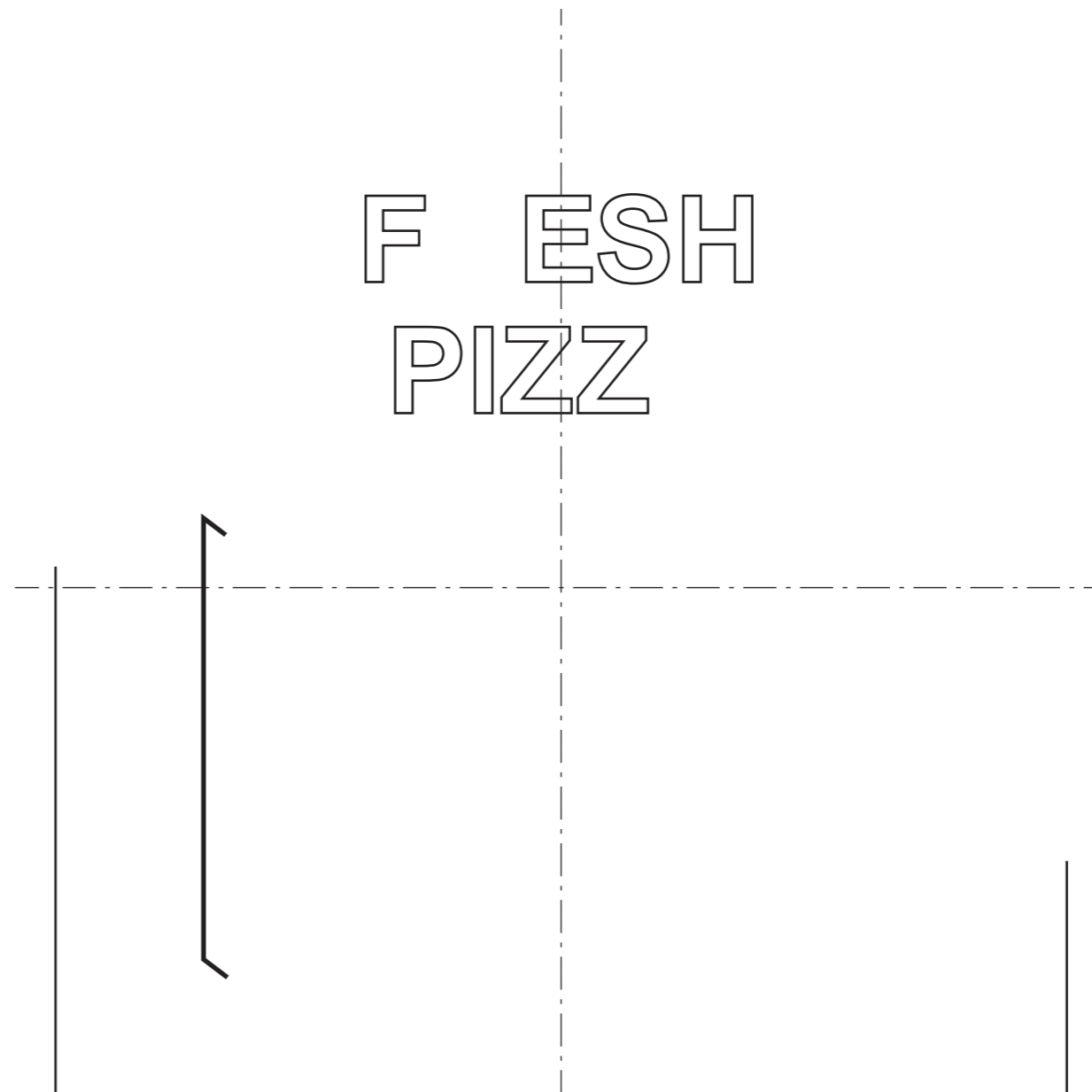
Answer **all** questions in this section.

**A1** The lid of a pizza box is shown below.



Complete the half-size view of the pizza box lid in the space provided to the right by drawing:

- (a) the pizza box lid outline; [3]
- (b) the flag design on the lid; [8]
- (c) the FRESH PIZZA lettering. [4]



For  
Examiner's  
use

**0445/22** Oct/Nov 2018 **1 hour**  
© UCLES 2018 DC (ST/FC) 146112/1

Centre Number .....

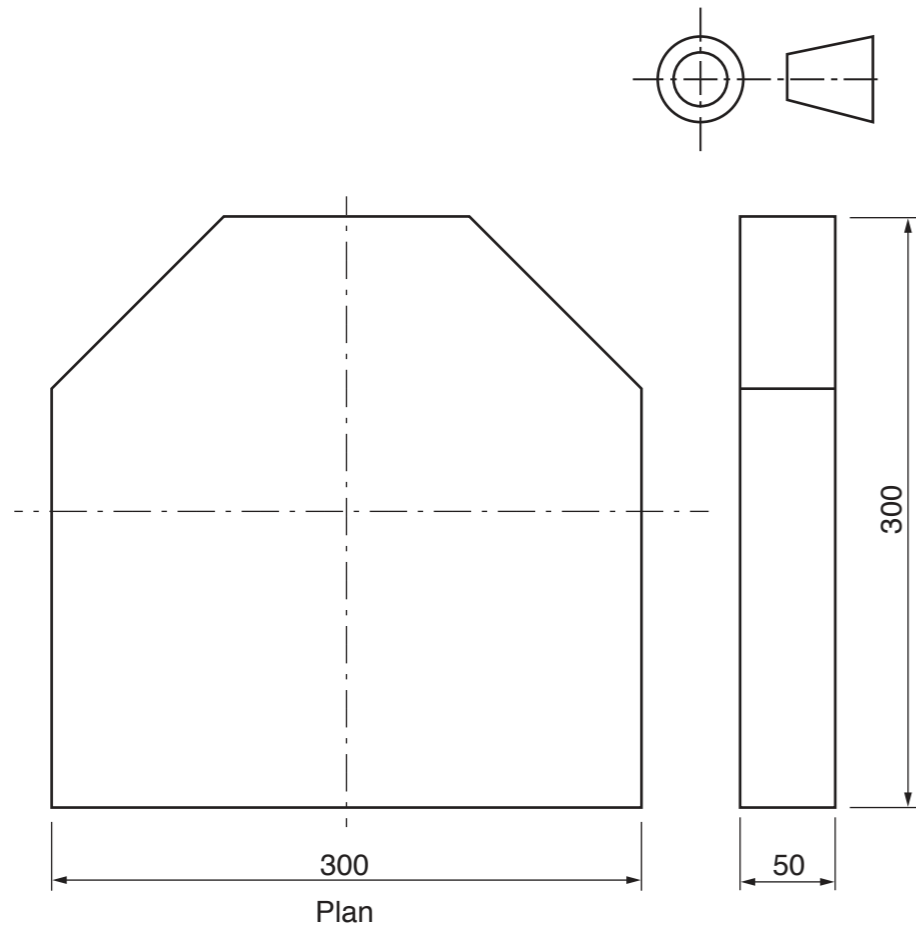
Candidate Number .....

Candidate Surname .....

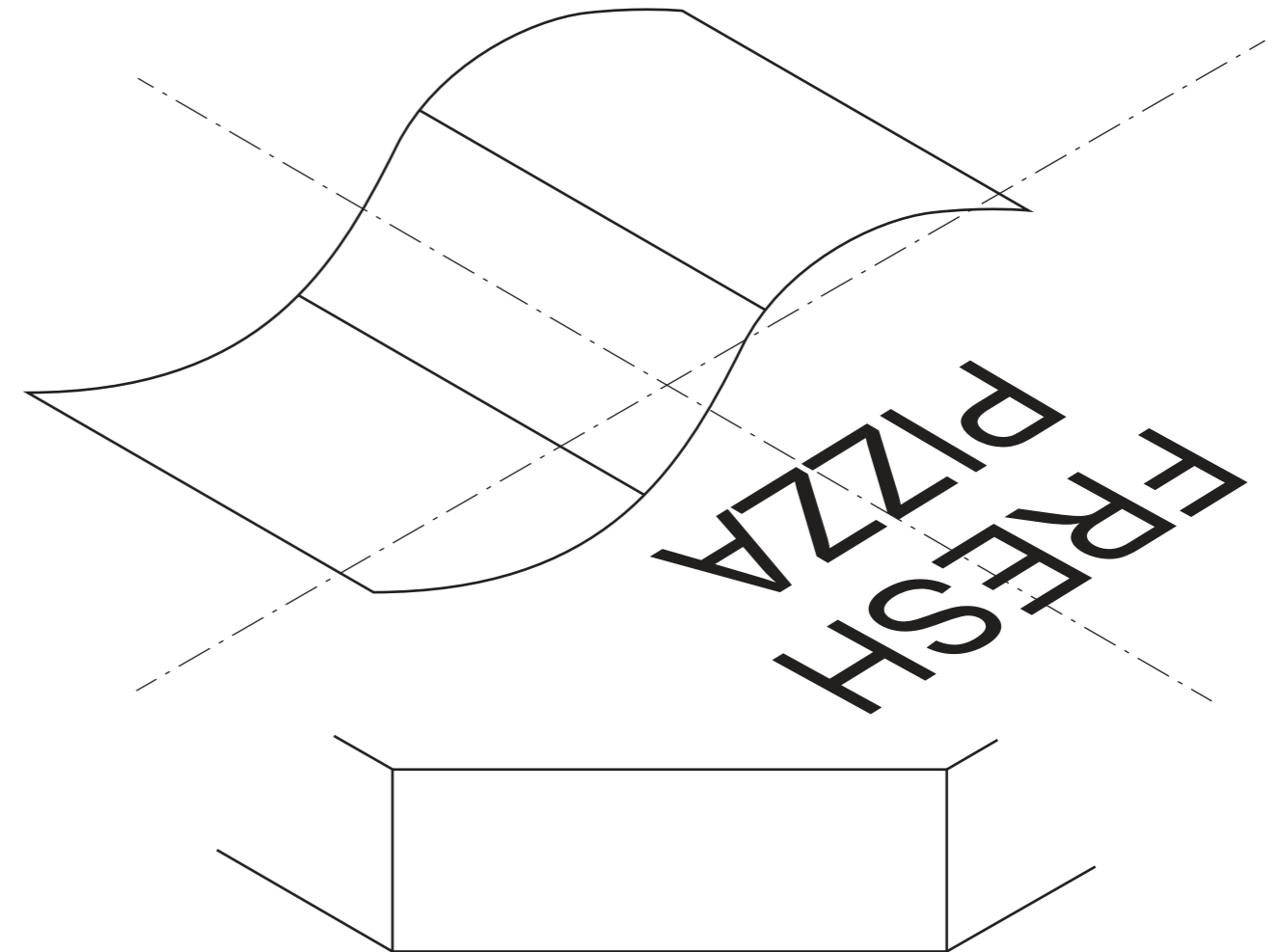
Other Names .....

**[Turn over]**

**A2** Orthographic views of the closed pizza box are shown below.



In the space provided, complete the isometric view of the pizza box to a scale of 1:2. [7]

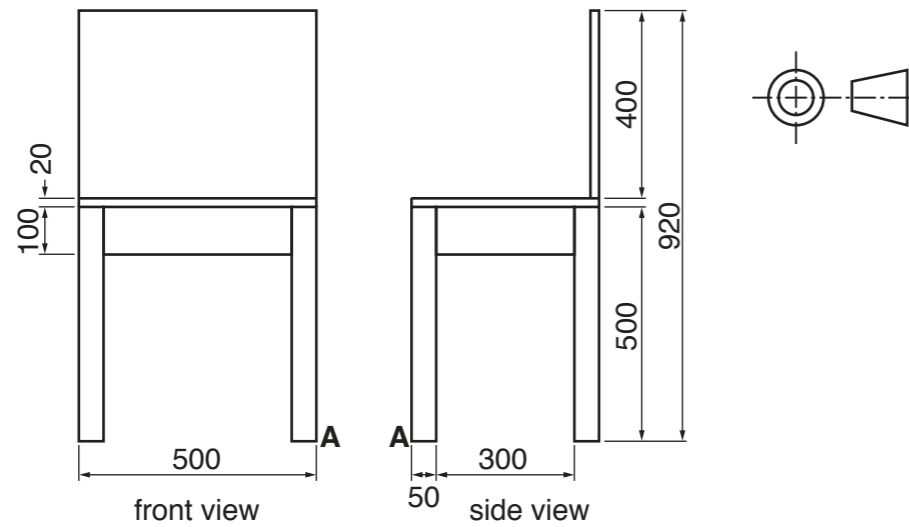


**A3** Corrugated cardboard is very strong in one direction.  
State **one** other property of corrugated cardboard and explain why this makes it suitable for the pizza box.

.....  
 .....  
 .....  
 .....[3]

**Section B**  
Answer **either** Question **B4** or **B5**.

**B4** Orthographic views of a chair used in a pizza restaurant are shown below.



(a) Complete the planometric view of the chair to a scale of 1:10 below. [12]

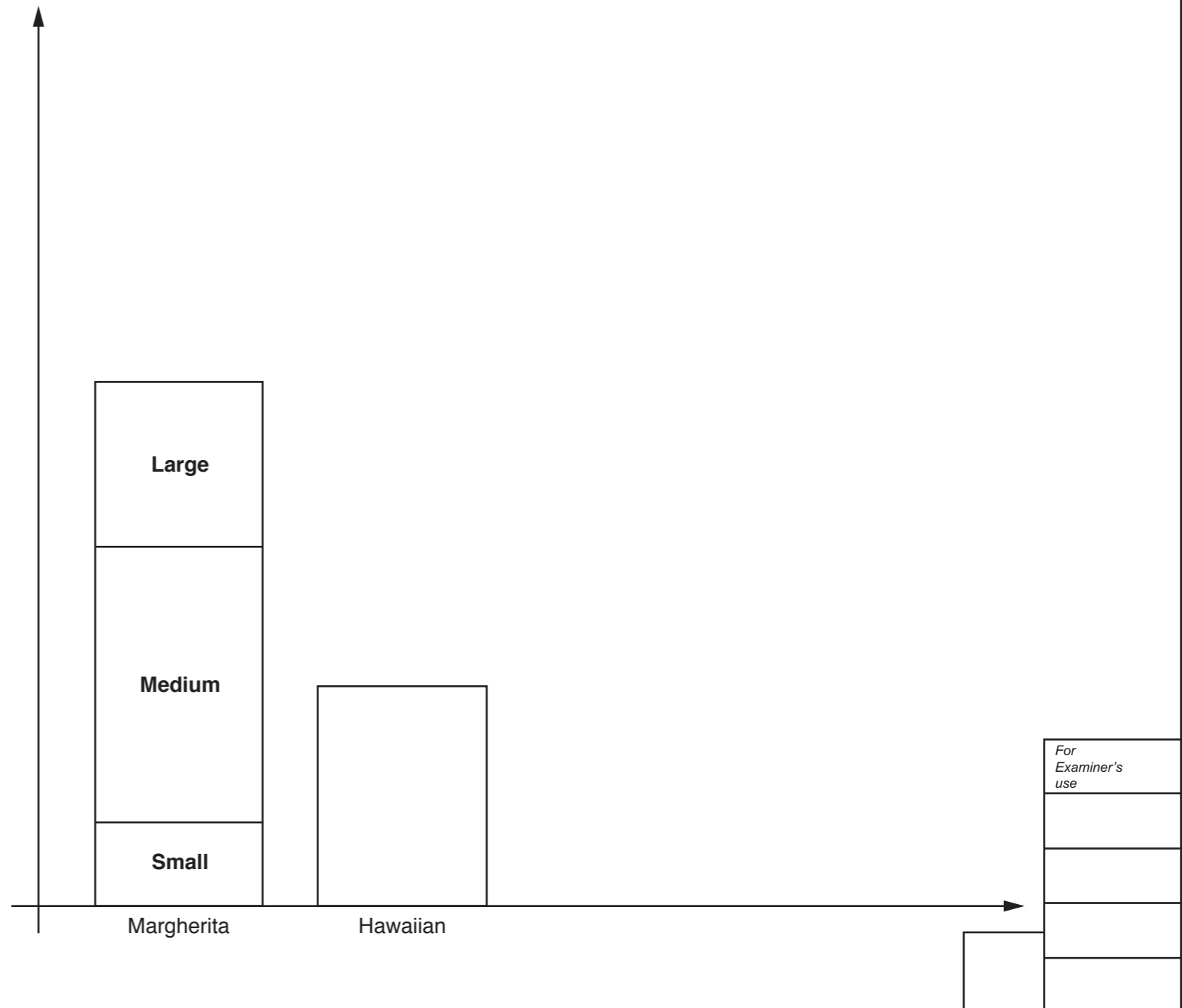


(b) The table below shows pizza sales over one day.

Flavour/Size	Margherita	Hawaiian	Meat Feast	Spicy Vegetable
Large	6	8	4	9
Medium	10	13	18	8
Small	3	9	10	7

In the space below, complete the column chart by adding:

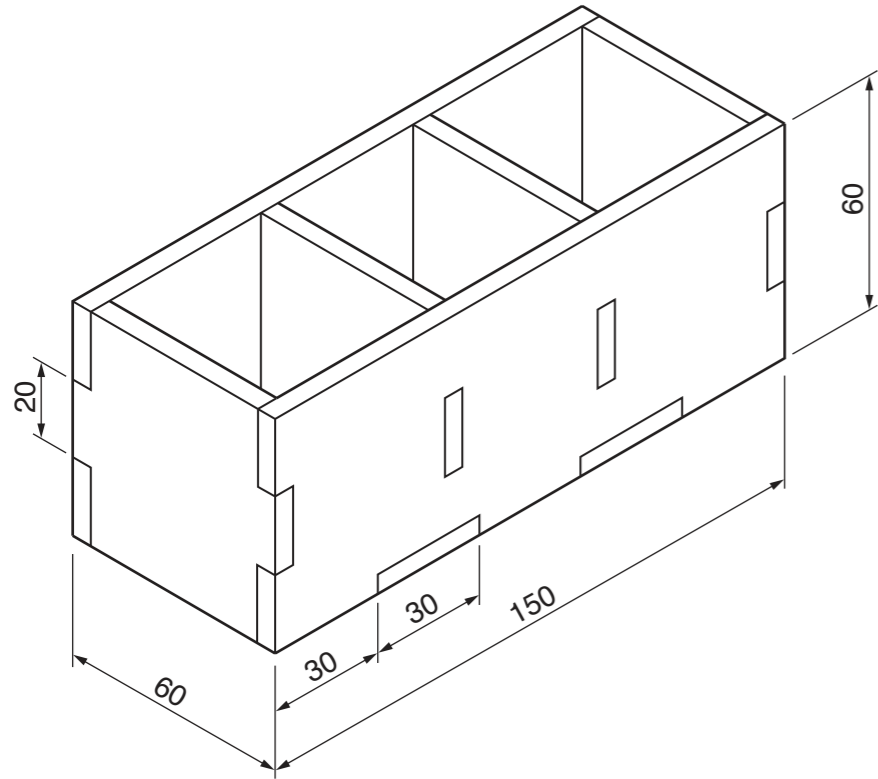
- (i) the missing columns; [8]
- (ii) numbers on the Y axis; [2]
- (iii) the axis labels; [2]
- (iv) an appropriate title. [1]



**0445/22** Oct/Nov 2018 **1 hour**  
© UCLES 2018 DC (ST/FC) 146112/1

Centre Number ..... Candidate Number ..... Candidate Surname ..... Other Names ..... **[Turn over]**

**B5** A holder for condiments (salt, pepper etc.) is shown below. The holder is made from seven pieces of 5 mm thick acrylic.

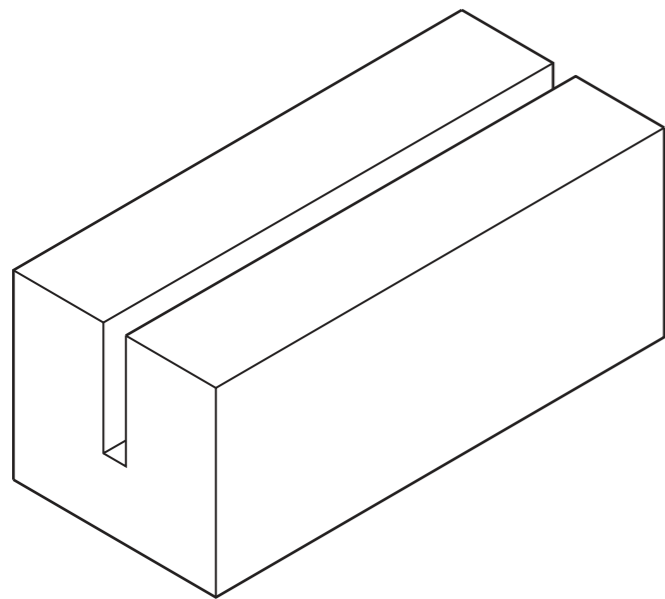


(a) In the space opposite, complete the table by drawing in the parts needed for the holder, and adding the number required. [11]

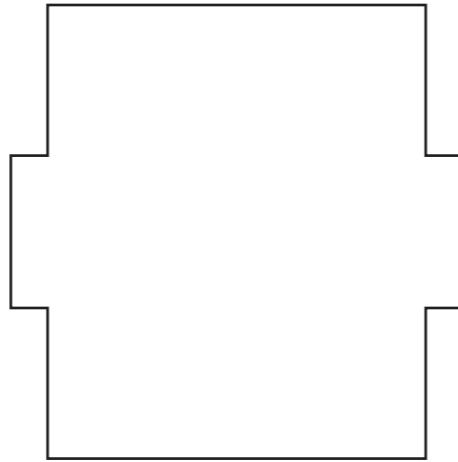
(b) The parts are to be cut out using CAM. State a suitable piece of CAM equipment for cutting out the pieces.

.....[1]

(c) A hardwood menu holder is shown below. Render the menu holder to look like wood. [3]



Part: ENDS Number required: 2



Part: Front/Back Number required: .....

Part: Partitions Number required: .....

Part: Base Number required: .....

(d) Complete the single-point perspective view of the menu holder below. [10]

+ VP1

